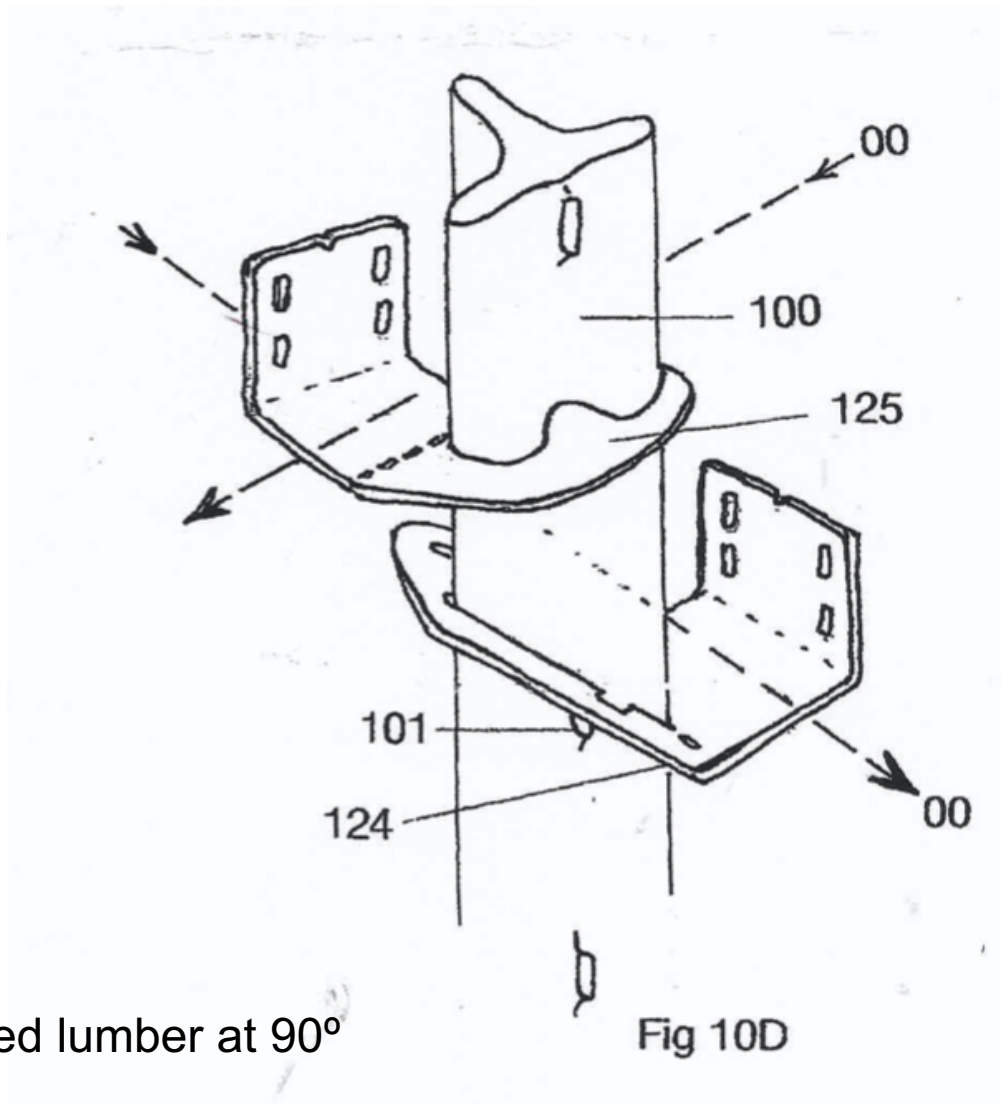


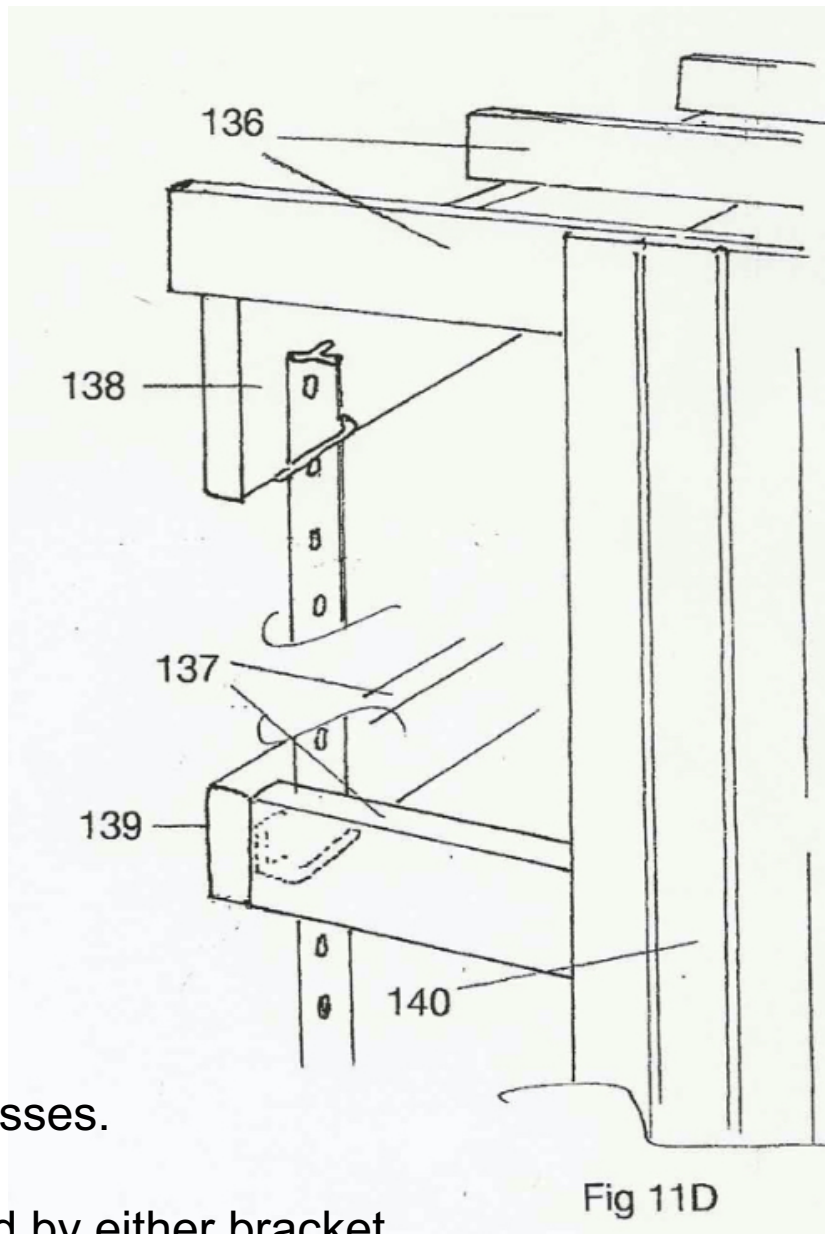
Fig 10D

Fence Bracket and Lumber bracket combination
Mount Lumber at 90° to one another from same T-post



- 00 Direction of mounted lumber at 90°
- 100 T-post
- 101 Knobs on T-post
- 125 Fence Bracket locks onto knob
- 124 Lumber bracket locks onto knob

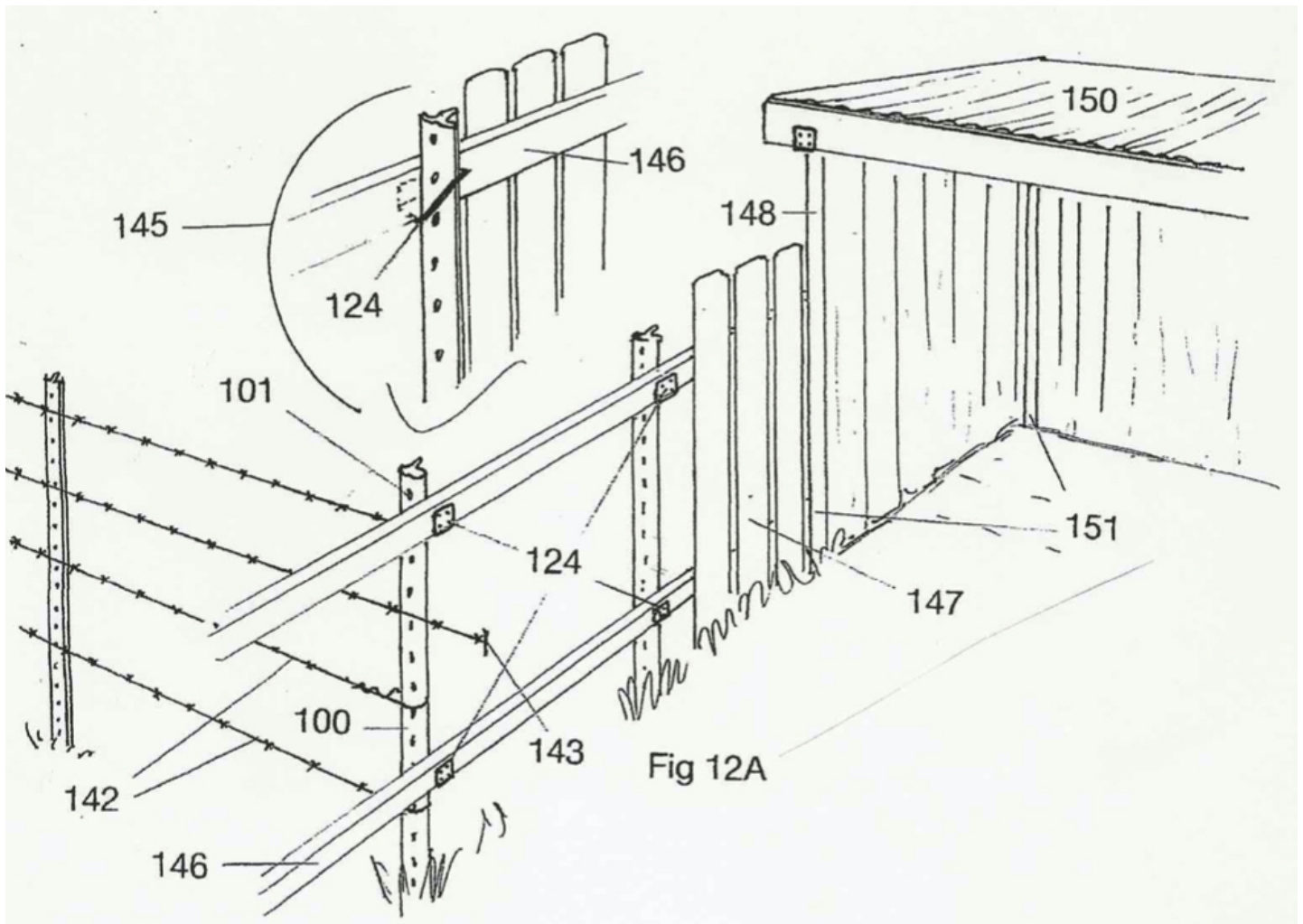
Fig 11D
Erect Sheds or Outbuildings on T-posts



- 138 Header =
- 136 to hold Purlins or Trusses.
- 140 Siding on =
- 137 mounting lumber held by either bracket.
- 139 Corner joined with screws.

Fig 11D

Fig 12A
Fence conversions, plus in line or corner shed



100 T-post

101 T-post's Knobs

124 Lumber Brackets

142 Barbed Wire, loosened from existing line fence =
slide brackets onto post.

143 Cut long enough to rewrap around post.

146 Mount conversion lumber for Board Fence.

147 Convert to backyard Board Fence.

148 Taller T-posts for head clearance.

151 Transition to a corner Shed.

150 Shed roof.

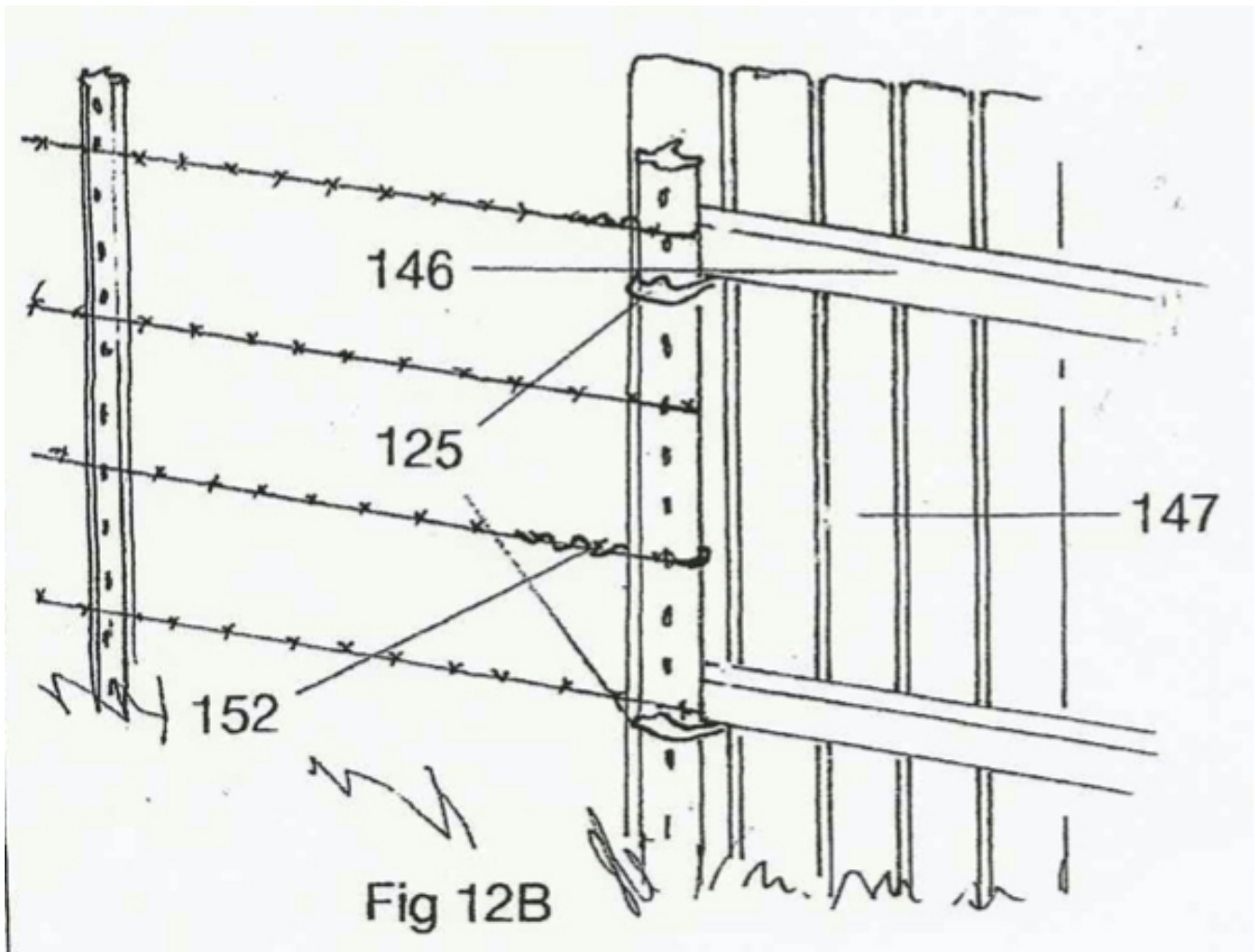
See insert - 145 =

124 Reverse the Lumber Bracket on post =

146 Board Fence on other side of posts.

www.smartatfixes.com

Fig 12B
Convert a wire fence to a Board Fence



- 152 Loosen or cut wire to slide Fence Brackets into place. If cut, cut long enough to rewrap onto post.
- 125 Shows Fence Brackets =
- 146 to hold mounting lumber on opposite side of wire on post.
- 147 Mounted Board Fence.

Fig 16D

Mount Shelves, or diagonal wood braces from a T-post

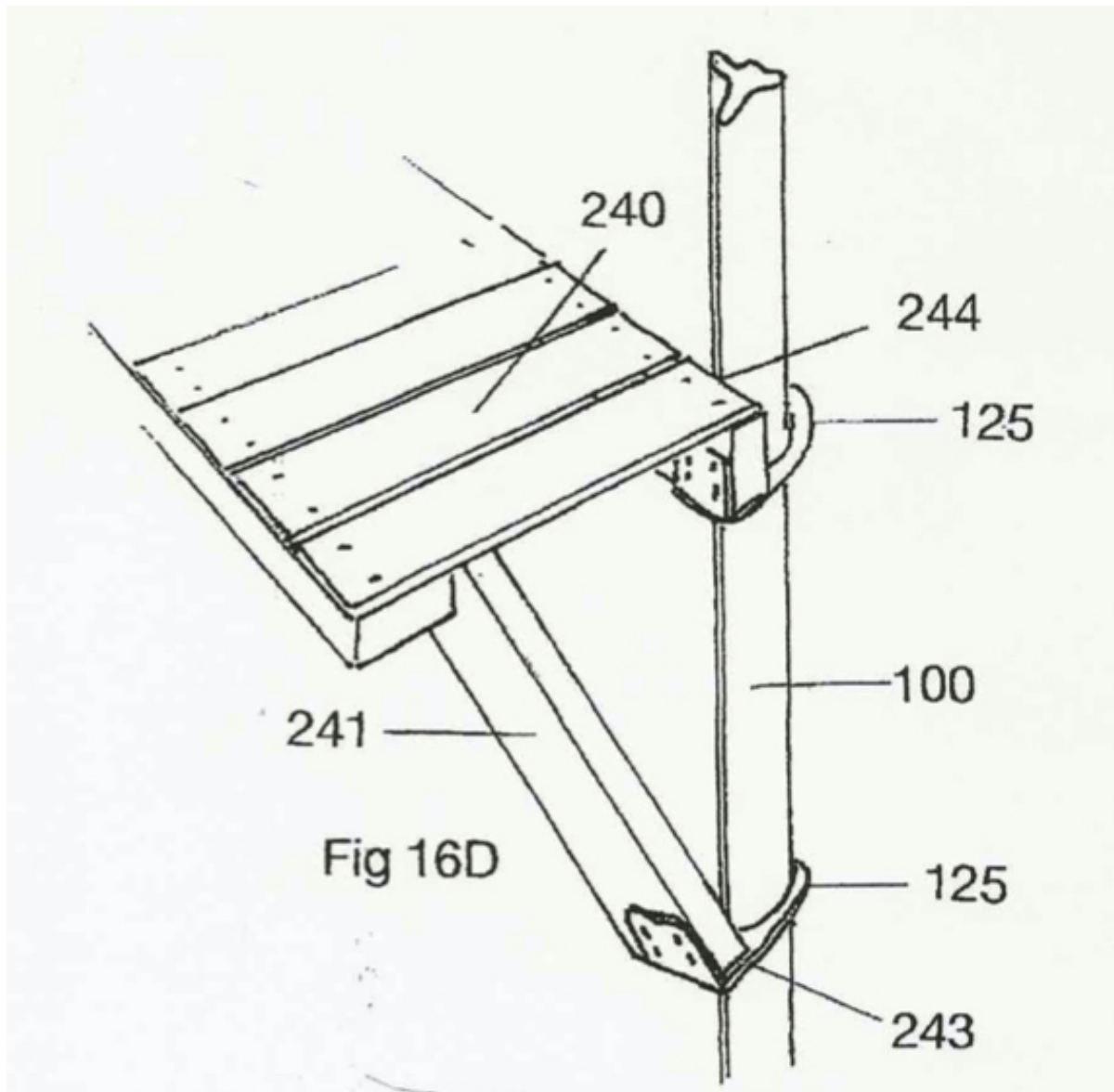


Fig 16D

125 Shows Fence Bracket, (either bracket will do the same).

244 Standard mount of lumber.

243 Cradle in Bracket adjusted to the angle of bracing lumber.

241 Bracing lumber.

240 Shelf.